



TECHNICAL DATA

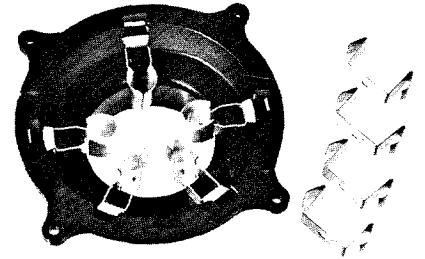
**SK-510**  
**AIR-SYSTEM**  
**SOCKET**

The EIMAC SK-510 is an Air-System Socket recommended for use with the tube types listed below, or other types having the same special five-pin base. Two different glass Air-Chimneys are available from EIMAC for use with the SK-510, depending on the tube type used.

The SK-510 is especially recommended for pressurized-chassis installations. Cooling air then cools the base, envelope, and plate-seal areas of the tube, when directed by the proper Air-Chimney.

Contact terminals are provided for all five of the tube base connections, with the anode connection made separately at the top of the tube.

The SK-510 and its contact assemblies are humidity and salt-spray resistant.



**BASE CONNECTIONS, MATERIALS, AND FINISHES**

The socket shell or body is of a molded plastic with excellent insulation characteristics to match the tube types for which this unit was designed. The base contact terminals are made of beryllium-copper and are silver plated. A set of four clips are provided, for locating and holding the recommended Air-Chimney concentric with the tube. These clips are double-ended so they will ground the metal base shell of some tube types which require this. The clips are also made of beryllium copper but are cadmium plated.

**NET WEIGHT** (Approximate) . . . . . 6.5 oz; 184 gms

**INSTALLATION**

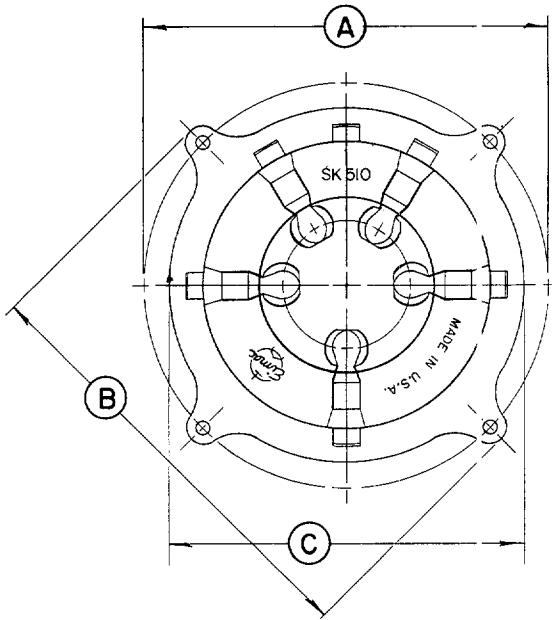
The SK-510 Air-System Socket can be mounted on a chassis deck, partition, or pressurized compartment. Mounting is accomplished by cutting a 3-3/4 inch hole in the mounting surface, placing the socket below the hole, and fastening it into place with four 6-32 machine screws (not supplied) through the four mounting holes in the "ears" of the socket body.

The socket also has a 2-3/8 inch O.D. round neck extending 3/4 inch below the main socket body which provides a means for connecting a standard air duct to the base.

The following listing shows the EIMAC tube types which may be used with the SK-510 and the recommended Air-Chimney.

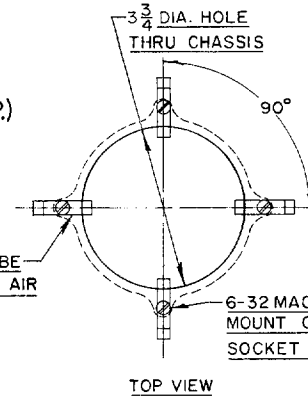
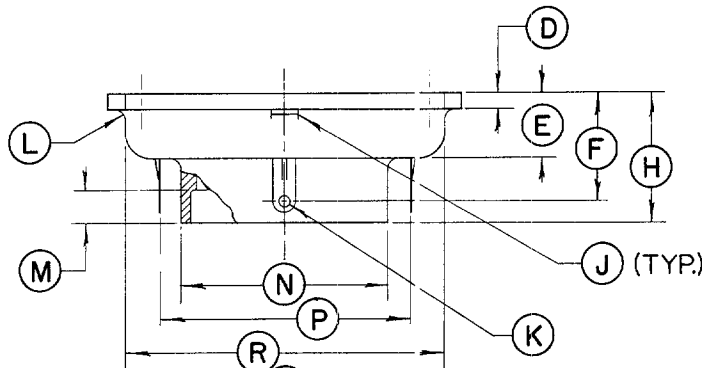
<u>TUBE TYPE</u>	<u>AIR CHIMNEY</u>
3-1000Z (8164)	SK-516
4-1000A (8166)	SK-506
4PR1000A (8189)	SK-506
4PR1000B (8189W)	SK-506
TYPE 279	SK-506
TYPE 284	SK-506
TYPE 8960	SK-506

DIMENSIONAL DATA						
DIM	INCHES			MILLIMETERS		
	MIN.	MAX.	REF.	MIN.	MAX.	REF.
A	4.593*	4.656*	- -	116.7	118.3	- -
B	4.968	5.031	- -	126.2	127.8	- -
C	4.031*	4.093*	- -	102.4	104.0	- -
D	0.156	0.218	- -	3.96	5.54	- -
E	0.718	0.781	- -	18.24	19.83	- -
F	- -	- -	1.250	- -	- -	31.75
H	1.468	1.531	- -	37.29	38.89	- -
J**	- -	- -	- -	- -	- -	- -
K	0.093*	0.156*	- -	2.36*	3.96*	- -
L	0.093R	0.156R	- -	2.36R	3.96R	- -
M	0.343	0.406	- -	8.71	10.31	- -
N	2.343*	2.406*	- -	59.51*	61.11*	- -
P	- -	- -	2890	- -	- -	73.41
R	3.593*	3.656*	- -	91.26*	92.86*	- -
S	2.140*	2.203*	- -	54.36*	55.96*	- -
T	- -	- -	0.187R	- -	- -	4.75R
U	- -	- -	0.500R	- -	- -	12.70R
V	0.139*	0.152*	- -	3.53*	3.86*	- -



\* DIAMETER

\*\* 0.031 x 0.281, 0.093 x 0.343 (IN.)  
0.79 x 7.14, 2.36 x 8.71 (MIL.)



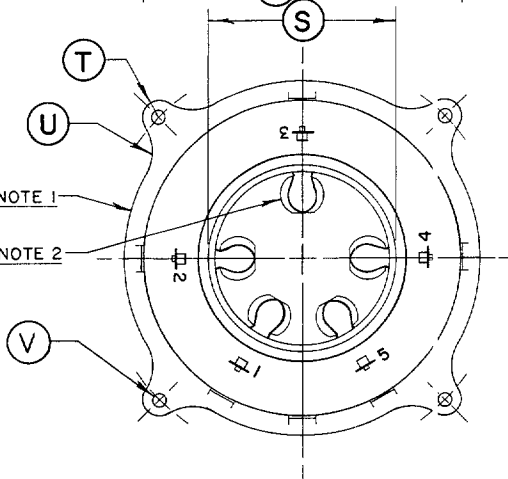
CLIPS GROUND TUBE  
BASE & OR HOLD AIR  
FLOW CHIMNEY  
SEE NOTE 3

6-32 MACHINE SCREWS  
MOUNT CLIPS &  
SOCKET ON CHASSIS

TOP VIEW

SEE NOTE 1

SEE NOTE 2



NOTES:

1. SOCKET SHELL-MAT'L: DIALLYL PHTHALATE.
2. TUBE PIN CONTACT CLIPS-MAT'L: BERYLLIUM COPPER, HEAT TREATED. FINISH: SILVER PLATED.
3. CHIMNEY CLIPS-MAT'L: BERYLLIUM COPPER, HEAT TREATED. FINISH: CADMIUM PLATED. PART NO.: 11584-4N PER EIMAC DWG 115842.